

CABLEPRO® CABLE PROTECTOR FUSES RATED 32V

Available in AWG and metric cables

RoHS



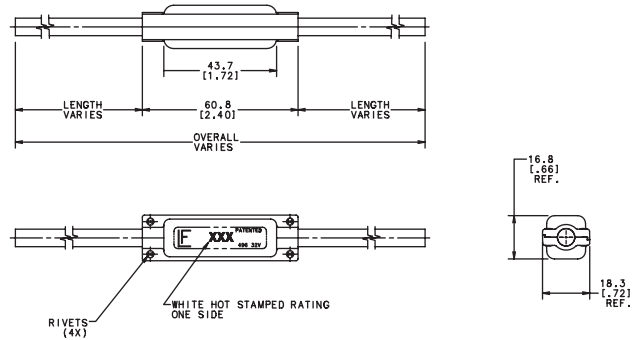
Specifications

| | |
|------------------------------|---|
| Voltage Rating: | 32 VDC |
| Cable Types Available | SAE J1127 STX , SAE J1128 TXL , ISO6722: Type FL2G |
| Interrupting Rating: | 2000A @ 32 VDC |
| Operating Temperature Range: | -40°C to + 125°C |

Available with UL recognized in 60A, 100A, 150A, 200A at 32V

Dimensions

Dimensions in mm



Description

The CABLEPRO® fuse is designed to replace conventional wire fusible links in high current automotive applications. The slim package of the CABLEPRO® and the predictable and reliable performance characteristics (similar to MEGA® fuse) make this far superior over wire fusible links. Interrupting rating 2000A @ 32 VDC. CablePro is not a sealed product. To seal it a shrink tube should be used.

Time-Current Characteristics

| % of Rating | Opening Time Min / Max (s) |
|-------------|----------------------------|
| 100 | 360,000 s / - |
| 135 | 120 s / 1800 s |
| 200 | 10 s / 300 s |
| 350 | 1 s / 15 s |
| 600 | 0.30 s / 5 s |

Ratings

| Part Number | Current Rating | Wire Size | Cold Resistance | I ² t |
|-------------|----------------|--------------------------|-----------------|------------------|
| 0496060_1 | 60 A | 5mm ² (10AWG) | 0.920 mΩ | - |
| 0496080_ | 80 A | 8mm ² (8AWG) | 0.689 mΩ | - |
| 0496100_1 | 100 A | 8mm ² (8AWG) | 0.460 mΩ | - |
| 0496125_ | 125 A | 13mm ² (6AWG) | 0.390 mΩ | - |
| 0496150_1 | 150 A | 19mm ² (4AWG) | 0.346 mΩ | - |
| 0496175_ | 175 A | 19mm ² (4AWG) | 0.268 mΩ | - |
| 0496200_1 | 200 A | 19mm ² (4AWG) | 0.173 mΩ | - |
| 0496200_1 | 200 A | 25mm ² | - | - |

Note 1: Short circuit protectors only.
Contact Littelfuse for complete part numbers.